

AURA™ PRO

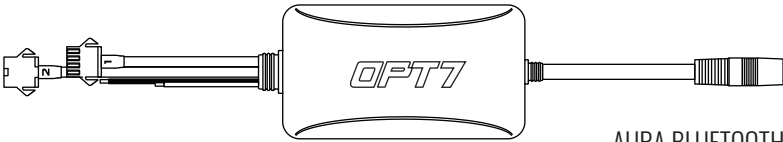
SNOWMOBILE

INSTALLATION GUIDE

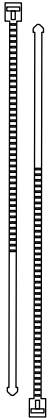
COMPONENTS



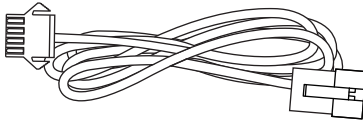
— LIGHT STRIPS



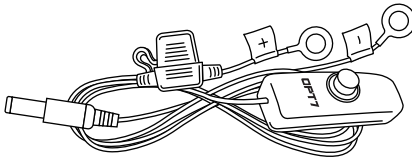
— AURA BLUETOOTH CONTROL BOX



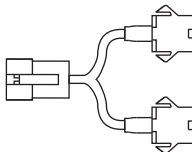
— ZIPTIES



— VARIOUS EXTENSION WIRES



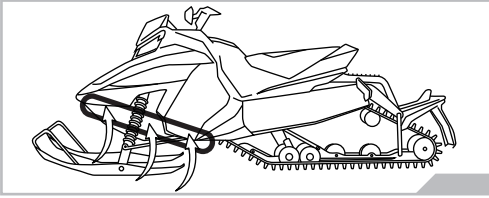
— POWER HARNESS WITH ON/OFF SWITCH



— Y-SPLITTERS

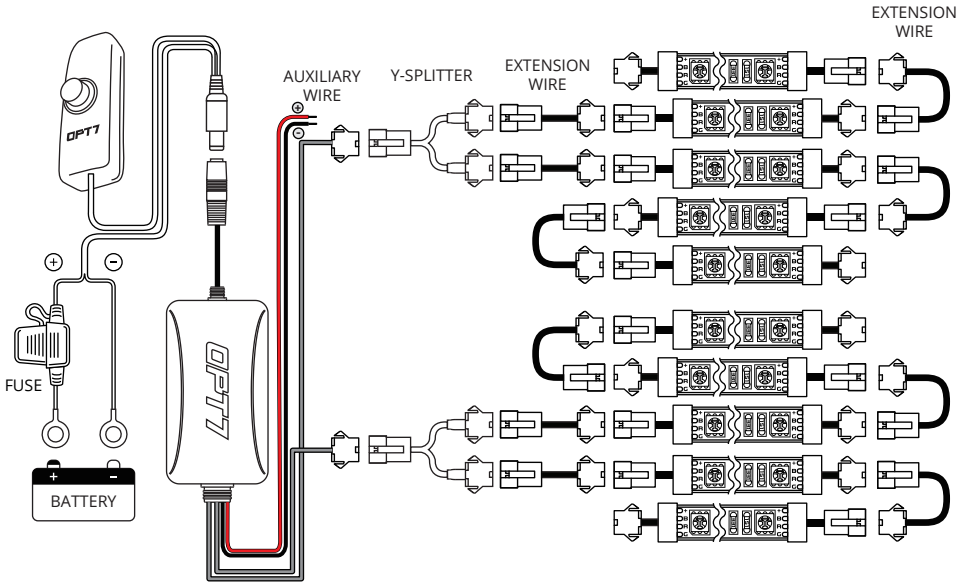
INSTALLATION

STEP 1 Inspect kit to ensure all contents was included.



STEP 2

Decide where to locate the light strips and ensure wiring has enough length for control box to be installed in desired location.



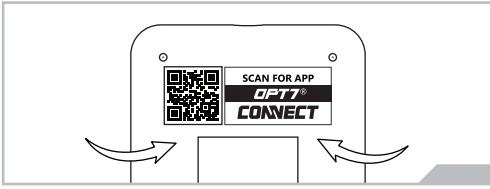
WARNING

1. Connecting to more than 10 AMP will override the kit and cause early failure, ensure it is 10 AMP or less!!
2. Please ensure that the LED bars or strips/control box/wiring all are mounted in areas where will not exceed 85°C or 185°F.

IMPORTANT NOTE!! Before You Start

We provide multiple sets of extension wires for you to configure. You can quickly extend them wherever you want to install.

INSTALLATION



STEP 3

Download the OPT7 CONNECT app found in the App Store on your smartphone device.

QR CODE TO DOWNLOAD

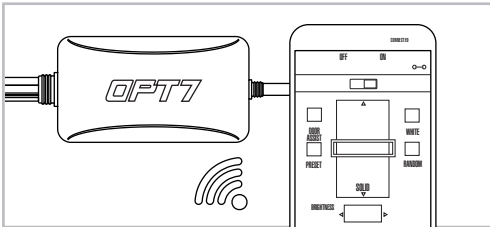


Download the free "OPT7 CONNECT" App

- App iOS (12+) available on App Store
- Android (6 +) available on Google Play

| OPT7 CONNECT APP

- Colors
- Modes
- Door Assist
- Support
- Ability to control up to 4 devices at once



STEP 4

Please ensure that the lights on the LED strips are matching the colors and modes displayed on the app. Test each color and mode to verify that they are functioning as intended.

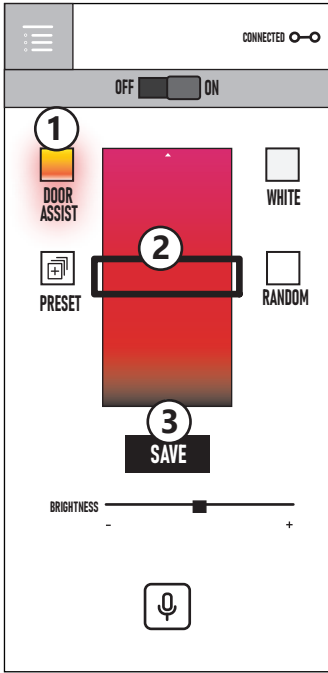
| AUX WIRING FOR A BRAKE LIGHT

You may choose the desired color choice directly on the OPT7 CONNECT app. This feature will activate when the aux wiring is connected to the trigger wire for **positive (+) wire of your brake light wire**.

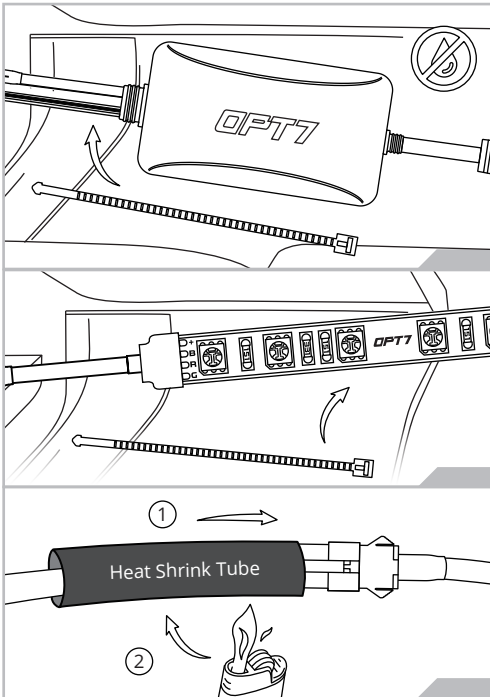
WARNING NOTE

If you plan to connect the aux wire to your brake signal wire, you SHOULD **ONLY** set the color of the DOOR ASSIST to "**RED**" in the color choice within the app.

| SET BRAKE LIGHT COLOR



1. Press **DOOR ASSIST** button.
2. Choose the red color.
3. Press **"SAVE"** to complete.



STEP 5

After testing, secure the control box in a desired location using the Velcro or zip-ties provided.

*The control box is NOT waterproof, tuck it away from elements.

STEP 6

Secure the light strips using the zip ties to tie all the wiring away from the moving components.

* IMPORTANT:

The LED connectors are not waterproof. You will need to use **HEAT SHRINK TUBE** or **ELECTRICAL TAPE** around the LED connectors to ensure the longevity of the lighting kit.

| **DISCLAIMER**

OPT7 Lighting is not liable for damages or personal injuries while installing this product. The Installation Guide is intended as assistance to reduce setup time. OPT7 Lighting assumes no responsibility for improper installation. If you are unfamiliar with your vehicle or inexperienced with aftermarket upgrades, please seek professional assistance.

OPT7 recommends installation for safety and guidance.

Modified installations or installation recommendations not specified by OPT7 Lighting will void product warranty.