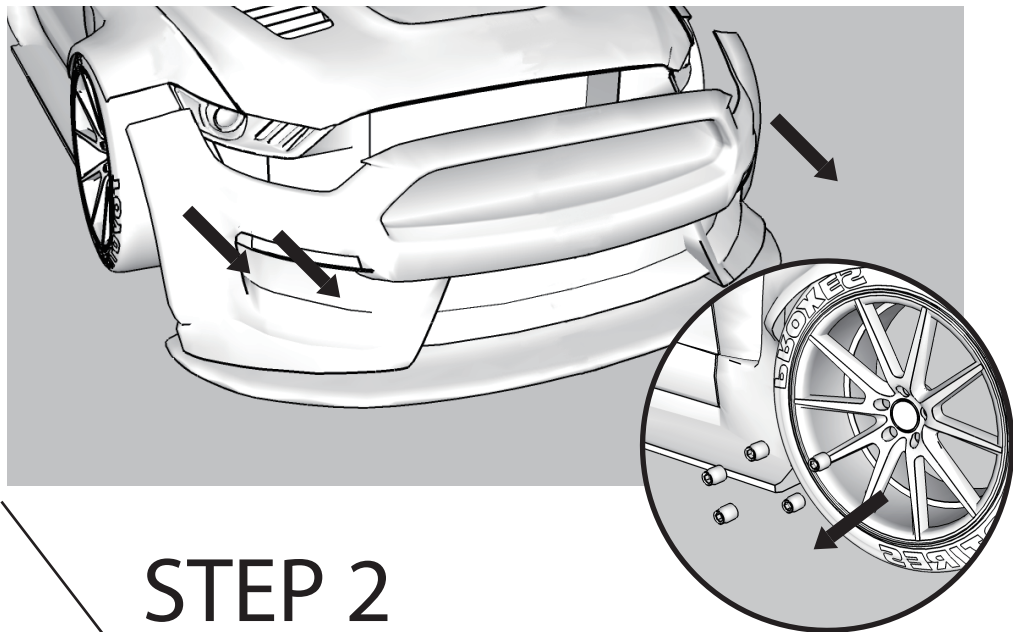


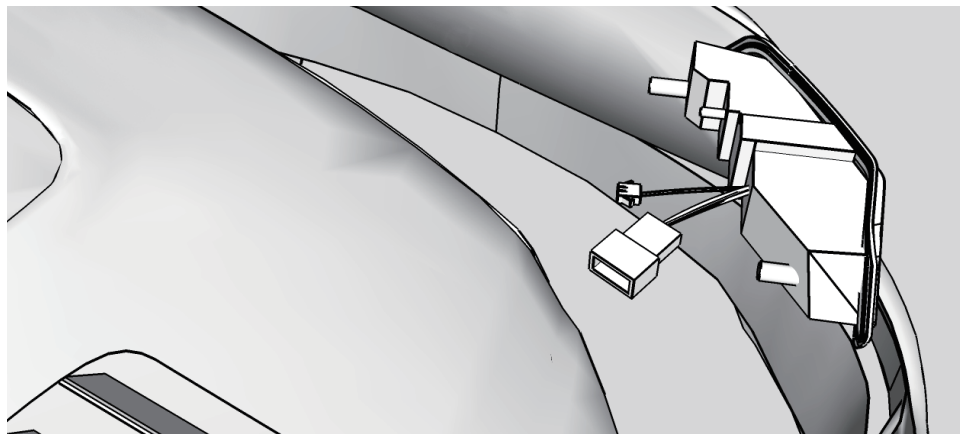
STEP 1

Completely remove the tire and the fender liner
OR completely remove the front bumper



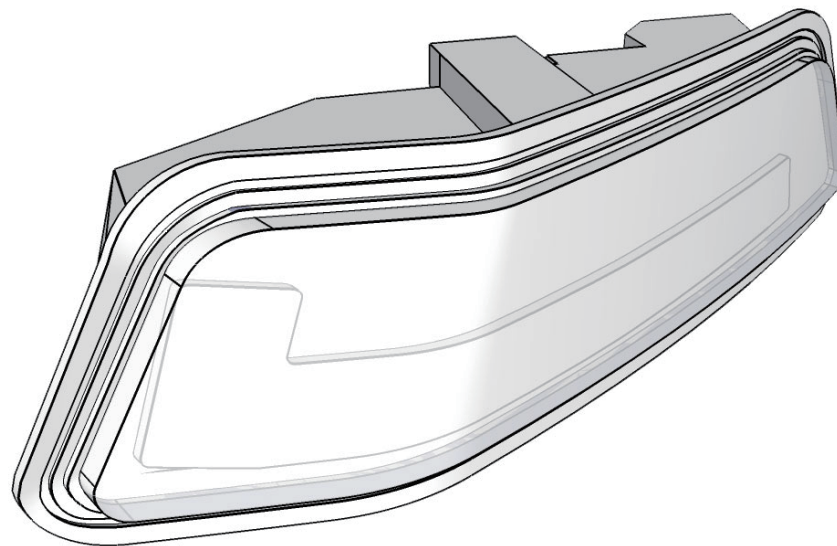
STEP 2

Unplug the two plugs from the stock turn signal and
the one from the fog light



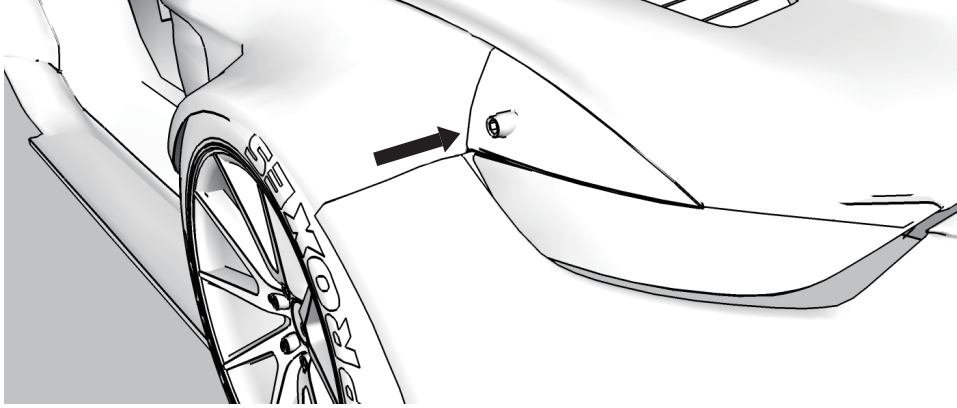
MUSTANG ARROW INSTRUCTION

DIRECTIONS FOR INSTALL



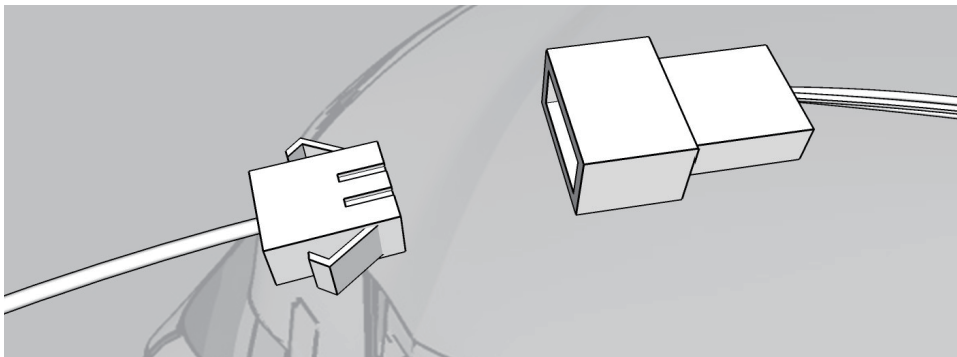
STEP 3

Take out the 7mm bolts from the housing that holds the turn signal and fog light. The housing then slides out and the light can be removed. The entire housing including the fog light comes out when you pull the housing out.



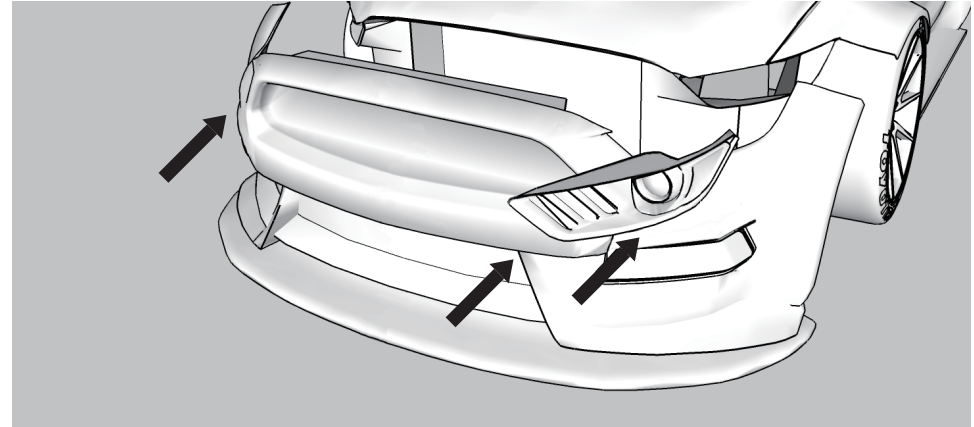
STEP 4

For the two connectors attached to the turn signal, one will have a bulb. Remove the bulb to include the bottom portion where the bulb connects to. This will reveal the connector where you plug the new light into.



STEP 5

Plug it in and then set the new light in the housing. Slide the housing back in and it will pop into the tabs.



STEP 6

Screw back in all the 7mm bolts and you will only reuse one of the two turn signal connectors.

