

OPT7

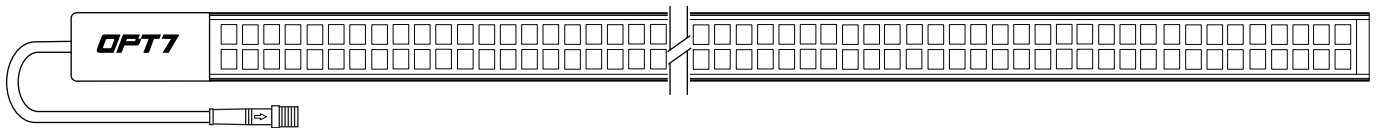
TAILGATE

WARNING

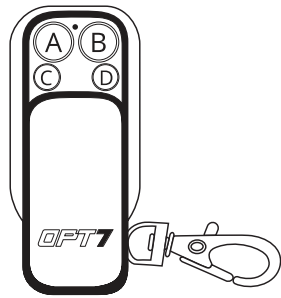
LIGHT BAR

— **INSTALLATION GUIDE** —

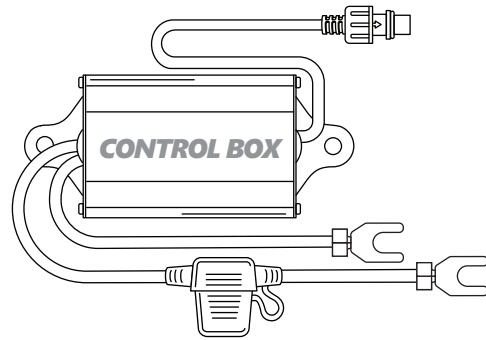
WHAT'S INCLUDED



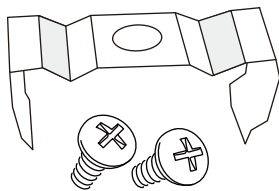
Tailgate Warning Light Bar



Keychain Remote



Control Box



Mounting
Brackets

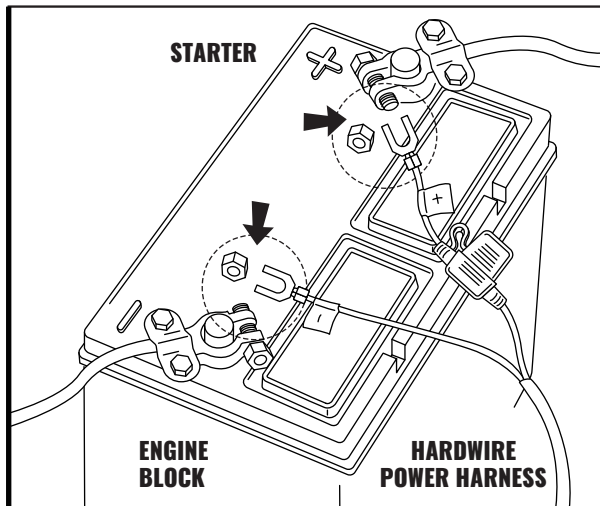
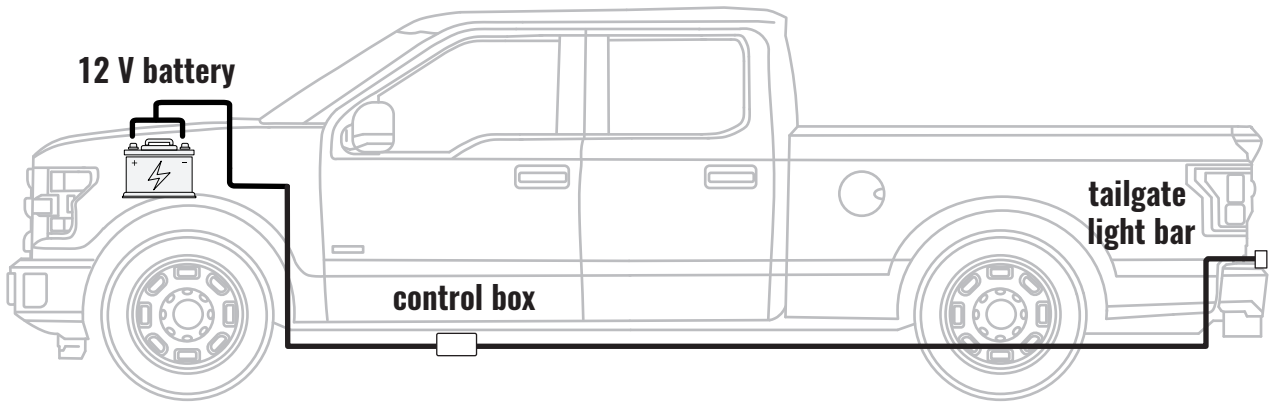


Adhesive
Booster

INSTALLATION

EXAMPLE

Recommendation for methods and location



HOW TO CONNECT POWER HARNESS TO YOUR VEHICLE

- Connect the Red wire (+) of power harness to the vehicle battery's positive terminal.
- Connect the Black wire (-) of power harness to the vehicle battery's negative terminal or an unpainted area on your vehicle's frame.

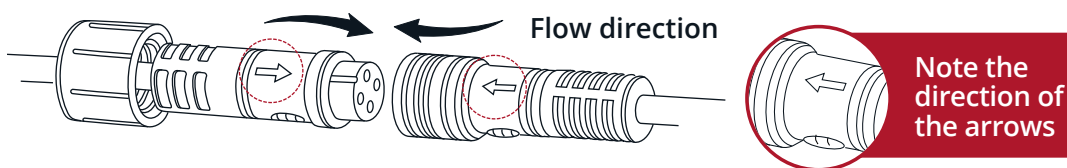


WARNING

1. Connecting to more than 10 AMP will override the kit and cause early failure, ensure it is 10 AMPs or less!!
2. Please ensure that the LED bars or strips/control box/wiring all are mounted in areas where will not exceed 85°C or 185°F.

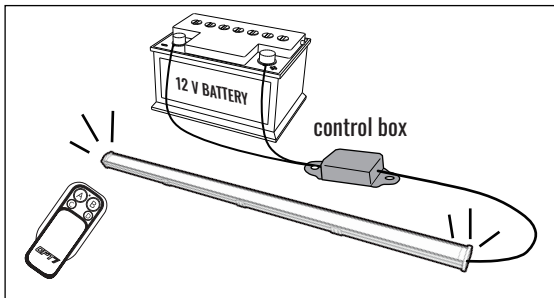
IMPORTANT

BE SURE TO CONFIRM THE CORRECT DIRECTION OF THE ARROW!! TO AVOID PRODUCT DAMAGE DUE TO INCORRECT INSTALLATION.



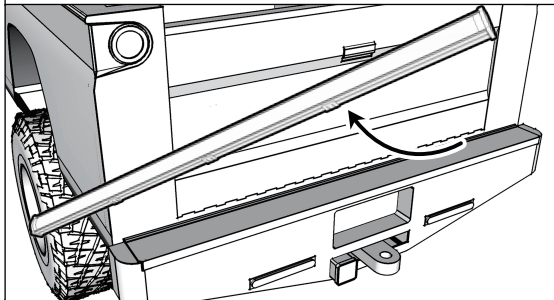
CORRECT INSTALLATION

INSTALLATION



STEP 1

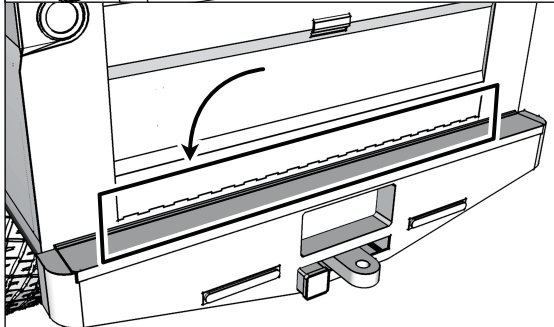
Test the Light Bar by attaching the wires to the battery before installing onto the vehicle.



STEP 2

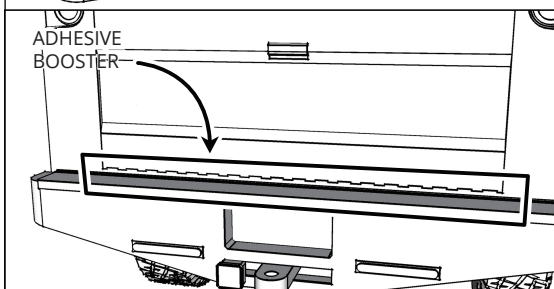
The Tailgate Light Bar requires a flat surface for installation.

*Recommend making necessary measurements prior to the installation.



STEP 3

Thoroughly clean the area where the LED Bar will be mounted.



STEP 4

Apply the Adhesive Booster to the cleaned area.

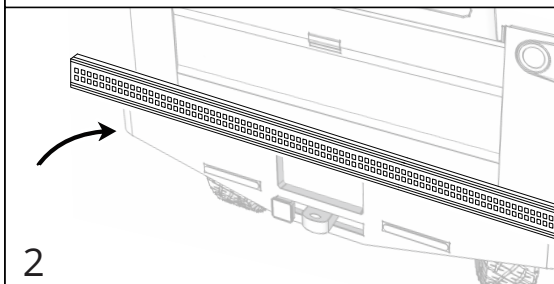
OPTION 1



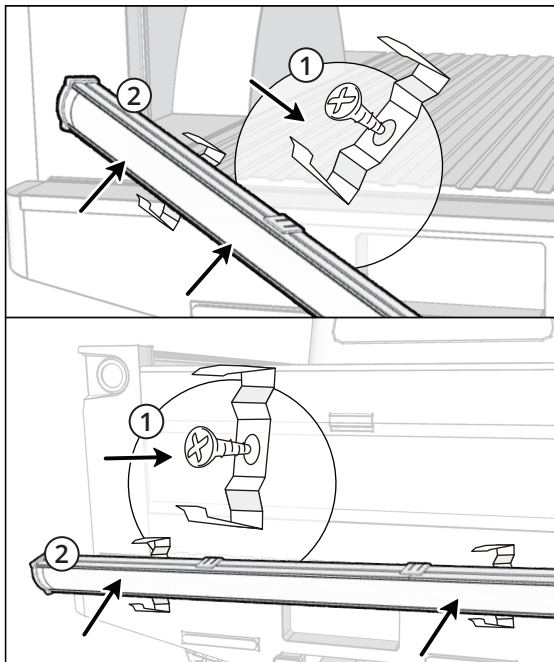
STEP 5

1 Peel the back off of adhesive on each end of the LED bar.

2 When this is all done, hold the LED bar with both hands and apply firmly to the cleaned area.



INSTALLATION



STEP 4

For optimal installation of the LED Bar, carefully plan and mark the desired bracket mounting locations, taking placement into consideration to ensure a straight application.

OPTION 2

STEP 5

Securely mount the LED Bar to your vehicle using the provided screws and clips to ensure a solid installation.

HOW TO USE

THE WARNING MODE LIGHTING FUNCTIONS

Press the "A" button to enable the warning light function. You may easily switch between modes using the B,C,D on the RF remote.

A Power ON/OFF

B Speed Adjust (5 Speed Option)

C Mode Up (12 Level)

D Mode Down (12 Level)



NOTES

- 1 Swipe the lid down to use the 4 key button to control the lights.
- 2 Ensure to use this product within 10M/33FT or more.
- 3 When the Warning Lights are activated, the vehicle's signal receptions will be temporarily disabled and will only restore once turned off.

DISCLAIMER

OPT7 Lighting is not liable for damages, injuries, or death while installing this product. The Installation Guide is intended as assistance to reduce setup time. OPT7 Lighting assumes no responsibility for improper installation. If you are unfamiliar with your vehicle or inexperienced with aftermarket upgrades, please seek professional assistance.

OPT7 recommends installation for safety and guidance. Modified installations or installation recommendations not specified by OPT7 Lighting will void product warranty.

1 YEAR
WARRANTY