

DISCLAIMER

OPT7 Lighting is not liable for damages or personal injuries while installing this product. The Installation Guide is intended as assistance to reduce setup time. OPT7 Lighting assumes no responsibility for improper installation.

If you are unfamiliar with your vehicle or inexperienced with aftermarket upgrades, please seek professional assistance.

NEED HELP?



Access our Knowledge Base by scanning the **QR code**, or visit www.opt-7.com/support



Follow us on
Instagram
@opt7lighting



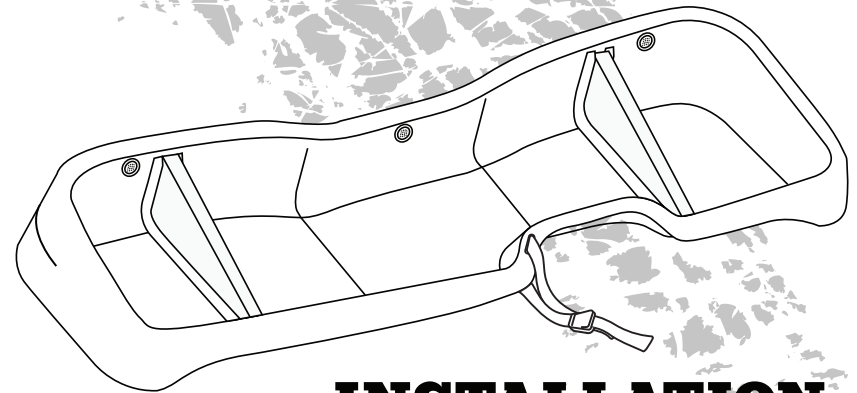
Subscribe to our
YouTube channel.
Opt7Lighting

OPT7[®]

LED UNDERSEAT STORAGE

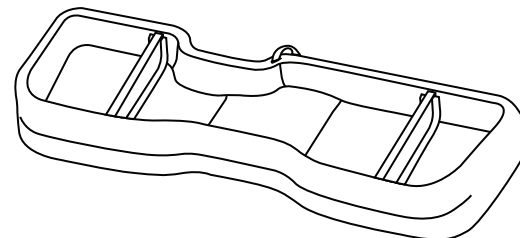
2014-2018 CHEVROLET-GMC SILVERADO/SIERRA 1500

2015-2019 CHEVROLET-GMC SILVERADO/SIERRA 2500/3500 CREW CAB

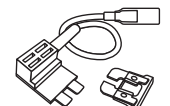


INSTALLATION MANUAL

MAIN COMPONENTS



LED UNDERSEAT STORAGE



**FUSE TAP
ADAPTER SET**

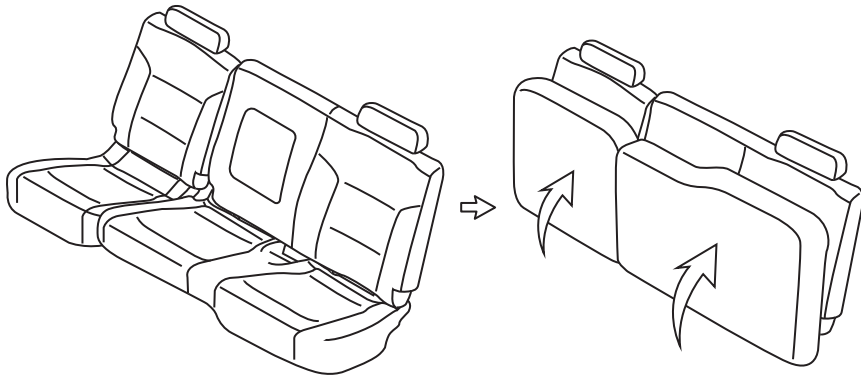


ZIP TIES

INSTALLATION

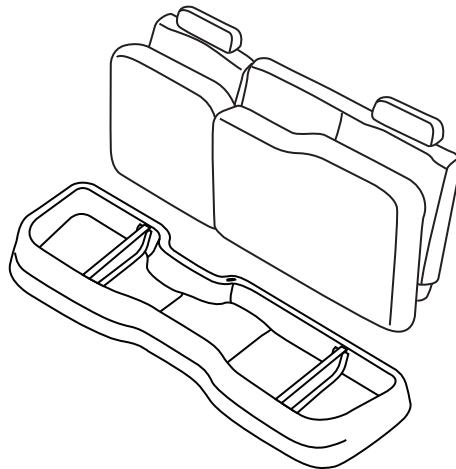
1

First, pull the back seat bottoms up.



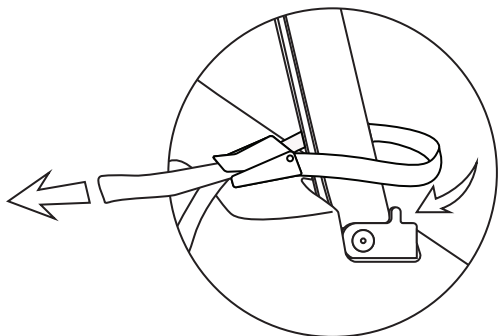
2

Second, place the underseat storage close to the back seat.



3

Next, thread the nylon strap around the metal column, as pictured.
Tightly wrap the nylon strap to secure the underseat storage to the truck.

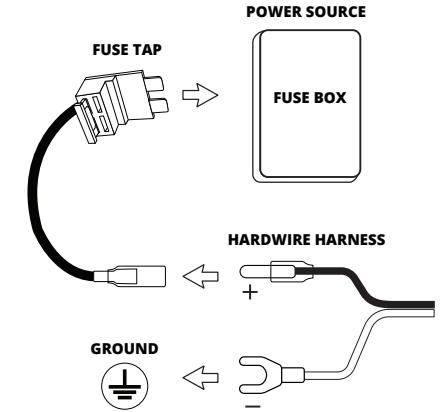


4

Connect the positive (+) wire to the fuse tape and connect the open negative (-) wire to a ground (any metal surface).

Plug the fuse tape* into the 10amp switched fuse.

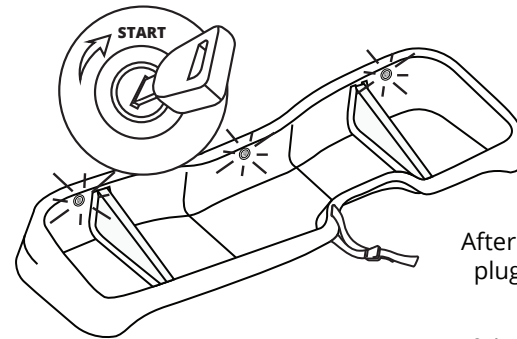
*Please use interior dome light or courtesy light fuse box for the power source.



5

After checking all the connects are plugged, start the vehicle to test the lights are ON

If the lights do not turn on, please check if the fuse tap wire is connected correctly and securely.



6

Use the included zip ties to tie-up any loose wiring.

You are now able to enjoy your Underseat Storage!

