

AURA™ DREAMCOLOR UNDERGLOW

INSTALLATION GUIDE

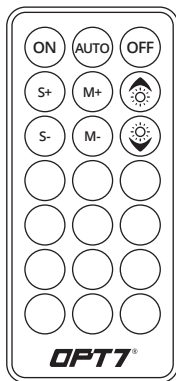
MAIN COMPONENTS



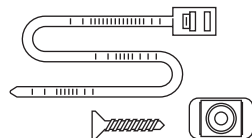
RIGID LIGHT BARS 36" + 48"



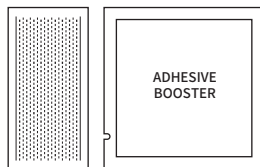
AURA CONTROL BOX



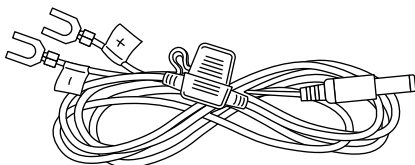
HAND HELD REMOTE



ADHESIVE BOOSTER



INCLUDES -
WIRE MOUNTS, SELF-TAPPING
SCREWS, BOOSTER, VELCRO, ZIP TIES

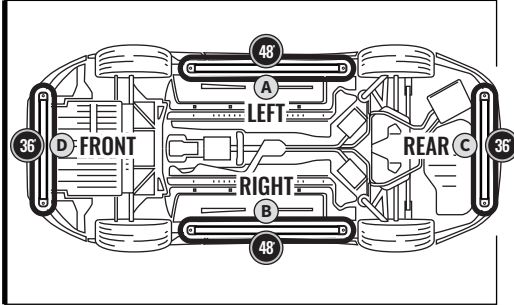


HARDWIRE POWER HARNESS

MOUNTING KIT

INSTALLATION

STEP 1 Inspect the kit has all the contents included and power the unit to test the lights function properly with the 12 volt adapter provided.



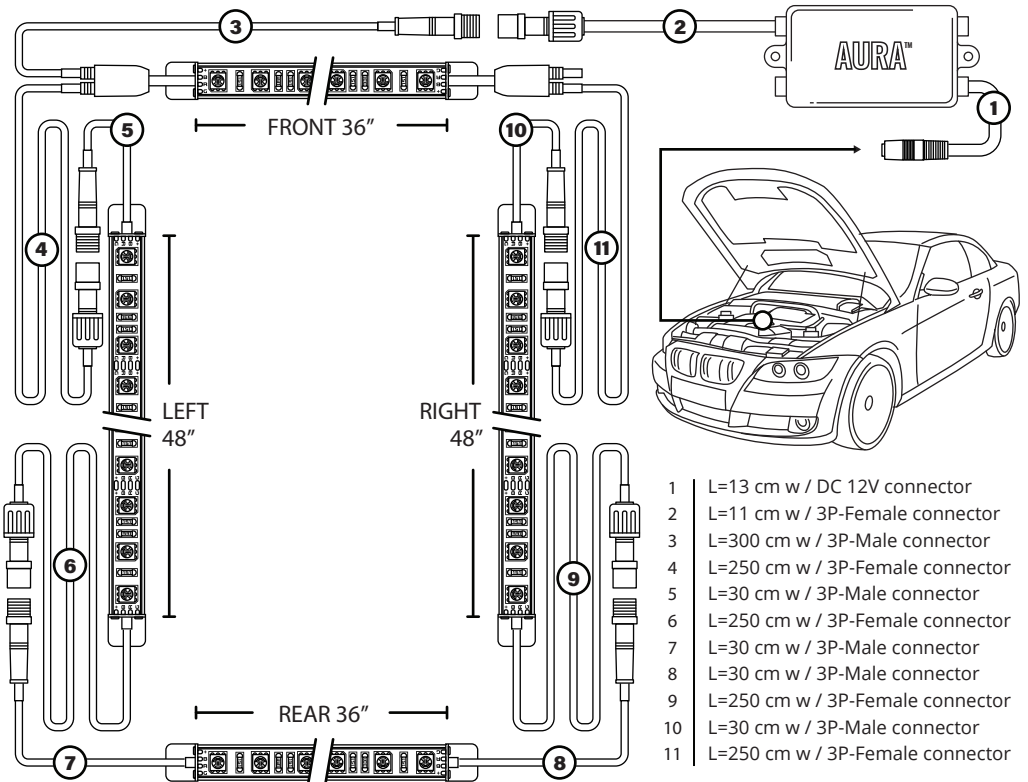
STEP 2

Decide where to locate the control box and ensure wiring has enough length for light bars to be installed in desired location.

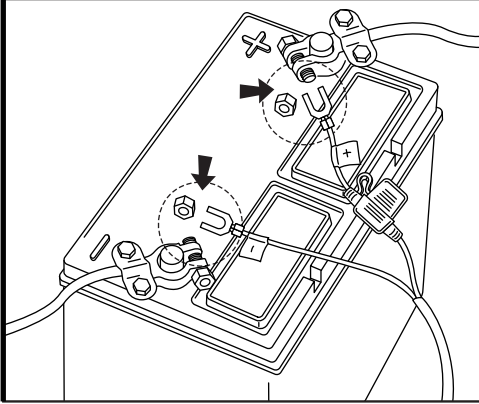
IMPORTANT:

Avoid installation areas of the engine bay + heated surfaces.

As shown below, connect all the LED bars to the control box.



INSTALLATION



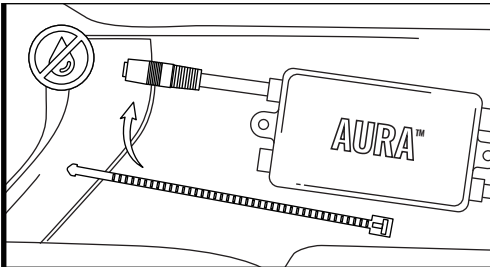
| HOW TO CONNECT POWER HARNESS TO YOUR VEHICLE

- Connect the Red wire (+) of power harness to the vehicle battery's positive terminal.
- Connect the Black wire (-) of power harness to the vehicle battery's negative terminal or an unpainted area on your vehicle's frame.



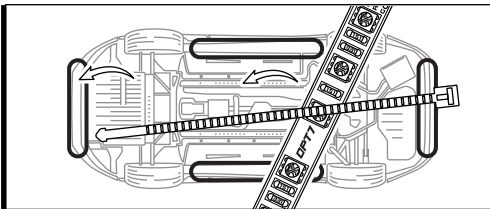
WARNING

1. Connecting to more than 10 AMP will override the kit and cause early failure, ensure it is 10 AMP or less!!
2. Please ensure that the LED bars or strips/control box/wiring all are mounted in areas where will not exceed 85°C or 185°F.



| STEP 3

Secure Control box in desired location with Velcro or zipties.

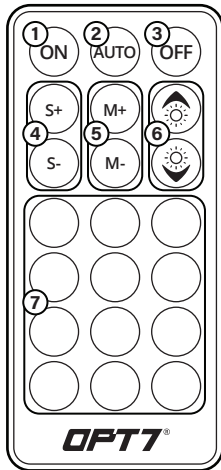


| STEP 4

Secure the light bars using the zip ties to tie all the wiring away from the moving components.

INSTALLATION

STEP 5



Using the included E-Z Remote, select your desired color or pattern.

- 1 | Power-ON
- 2 | Automatic Color Change
- 3 | Power-OFF
- 4 | Speed +/- 10Levels
- 5 | Mode +/- 20 Mode
- 6 | Dimmer 10 Levels
- 7 | Color Selection 12 Colors

DISCLAIMER

OPT7 Lighting is not liable for damages or personal injuries while installing this product. The Installation Guide is intended as assistance to reduce setup time. OPT7 Lighting assumes no responsibility for improper installation. If you are unfamiliar with your vehicle or inexperienced with aftermarket upgrades, please seek professional assistance.

OPT7 recommends installation for safety and guidance.

Modified installations or installation recommendations not specified by OPT7 Lighting will void product warranty.